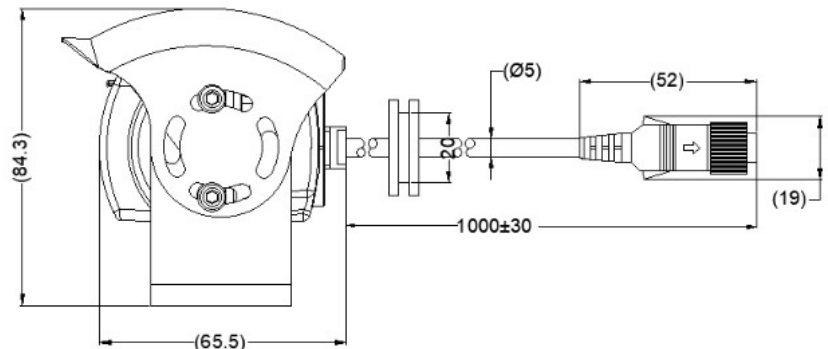
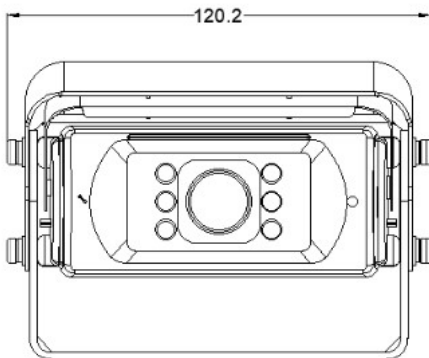


Product Specification



Brigade Model Number: BE-810C / BE-811C
Part Number: (1242D) / (2914C)



Dimensions: mm

Environmental Specifications:

- Shock Rating: 8.5G
- Vibration Rating: 51G
- Connector IP Rating: IP67
- Camera IP Rating: IP68, IP69K
- Operating Temperature: -40°C to +85°C
- Storage Temperature: -40°C to +85°C

Approved Standards:

- CE (EN 61000-6-1:2007 + A1:2011 + AC:2012 / EN 61000-6-3:2007 + AC:2005)
- FCC (47 CFR Part 15 Subpart B)
- Industry Canada (ICES-003)
- E-Mark (ECE Regulation 10 Rev 05)
- EMC for Earth Moving Machinery & Construction Equipment (ISO 13766-1: 2018)
- Ingress Protection (ISO 20653:2006)
- Salt Spray Corrosion (ISO 16750-4)
- RoHS
- WEEE

Technical Specifications:

- Operating Voltage: 12 Vdc
- Current Consumption: ≤ 450mA @ 12 Vdc
- Power Consumption: ≤ 5.4Watts @ 12 Vdc
- TV System: BE-810C - PAL
BE-811C - NTSC
- Picture Elements:
BE-810C 720(H) x 576(V)
BE-811C 620(H) x 480(V)
- Visual Resolution: 500TVL
- Viewing Angle:
BE-810C 105°(H) 80°(V) 130°(D)
BE-811C 110°(H) 82°(V) 134°(D)
- Mirror/Normal: Mirror & Normal

Technical Specifications Continued...

- Required illumination: 0Lux (IR LEDs ON)
- Video Output: 1.0Vp-p/75Ω
- Length of Cable: 1000mm
- Overall Dimensions: (With Bracket)
120.2mm (W) x 80.4mm (D) x 84.3mm (H)
- Weight: 580g
- Casing Material: Die cast Aluminium
- Colour: Black

Features:

- High Performance Sony CMOS Chip
- Wide Dynamic Range
- Back Light Compensation
- Automatic White Balance
- Fixed IRIS - Aperture F2.0
- 5 x High Power Infrared LEDs
- Integrated Heater
- Integrated Microphone
- BE Type Connector

Package Contents:

- 1 x (BE-81XC-C) Camera
- 1 x (BE-81XC & BE-21XC BKT) Bracket
- 1 x (BE-81XC & BE-21XC SS) Sunshield
- 1 x (BE-81XX & BE-21XC FIX) Fixing Pack
- 1 x (BE-81XC-IG) Instruction Guide